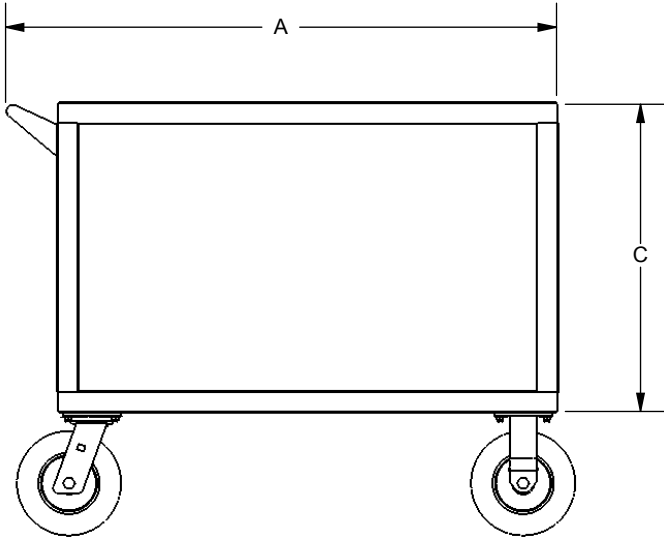
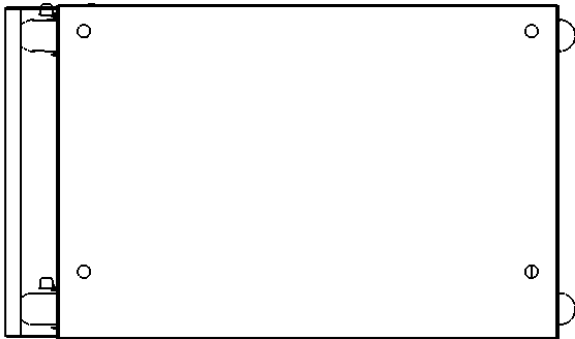
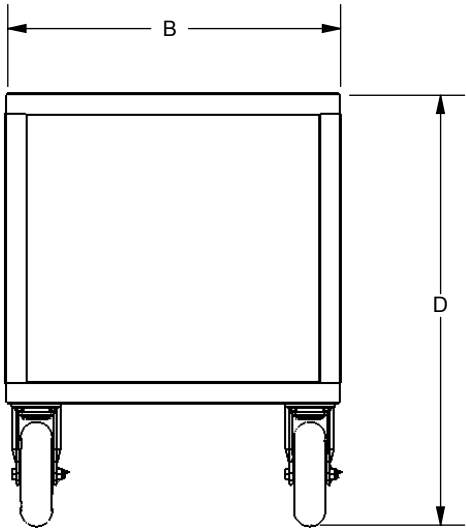


REVISIONS				
DWN	REV.	DESCRIPTION	DATE	APPROVED
DWF	E	Drawn to SW - Added ST Cart Dimensions	7/29/2014	

TOP VIEW



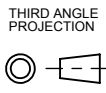
FRONT VIEW



SIDE VIEW

DIMENSIONS				
MODEL	A	B	C	D
2500	40.00"	23.00"	24.00"	33.25"
	1.02M	584mm	609mm	845mm
2500 ST	43.00"	26.00"	24.00"	33.25"
	1.09M	660mm	609mm	845mm

	2500
NEXT ASSY	USED ON
APPLICATION	



TOLERANCES
 .XXX ±.010
 / ±.50°
 UNLESS NOTED OTHERWISE

PROPRIETARY NOTICE
 THIS DRAWING AND INFORMATION CONTAINED WITHIN IS PROPRIETARY TO THUNDER SCIENTIFIC AND CANNOT BE COPIED OR REPRODUCED WITHOUT SPECIFIC WRITTEN PERMISSION

DRAWN	Fischer	4/14/1997
CHECKED		4/14/1997
ISSUED		4/14/1997

Thunder Scientific Corporation
 623 Wyoming S.E. Albuquerque, NM 87123

Cart Mechanical Dimensions

SIZE A	DWG. NO. 97D25926	REV E
SCALE: 1 : 15		WT. 163.04
SHEET 1 OF 1		