

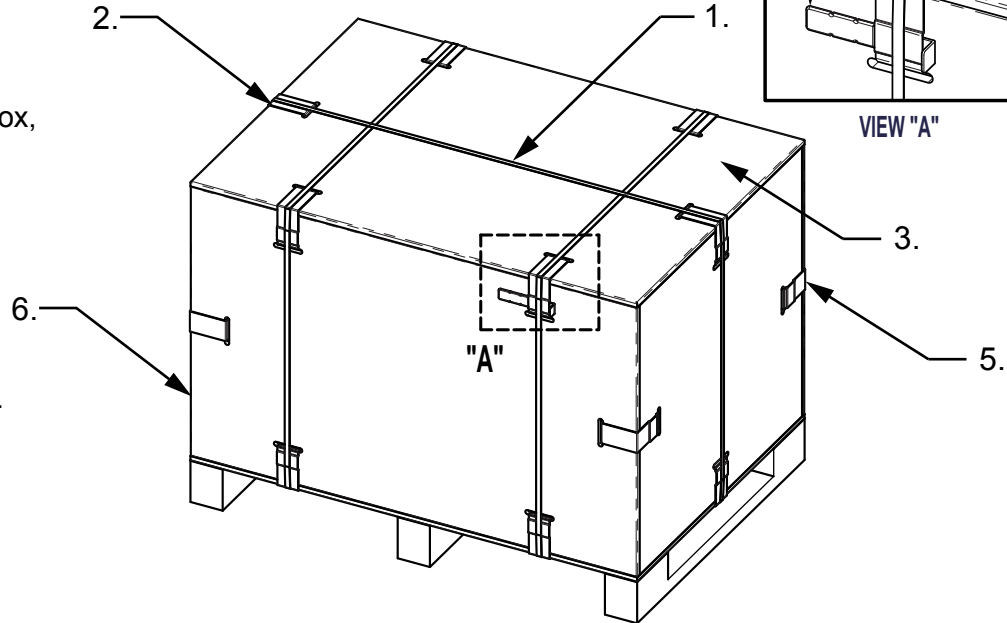
NOTE: Reusable
container
store inside.



Unpacking Instructions

Thunder Scientific Corporation

1. Cut all three bands.
2. Remove clips at top of box,
using clip removal tool.
see view "A".
3. Lift box lid off.
4. Remove foam.
5. Remove remaining clips.
6. Remove side panels.
7. Pull plastic cover off
and inspect.
8. Report all evidence of damaged
equipment to carrier.



MADE IN U.S.A.

Used for Models
1200, 2500, 2500ST and Carts