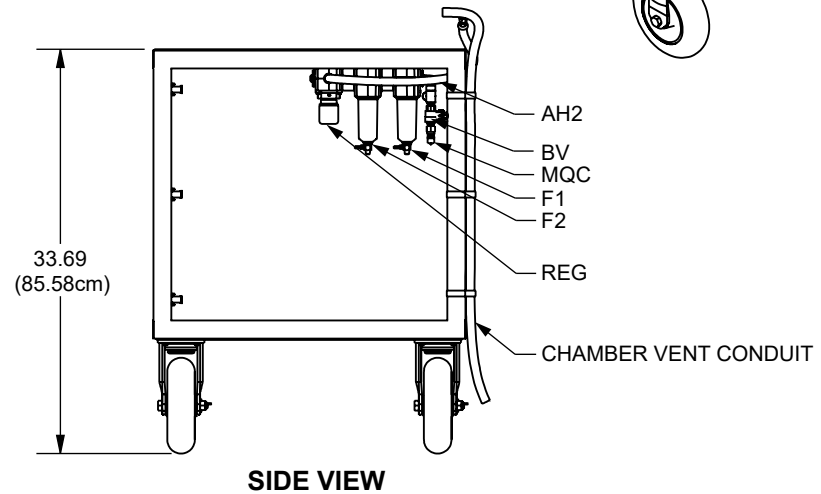
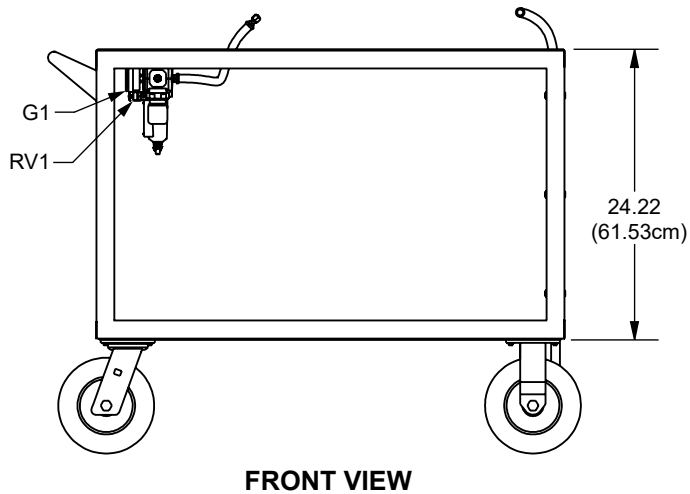
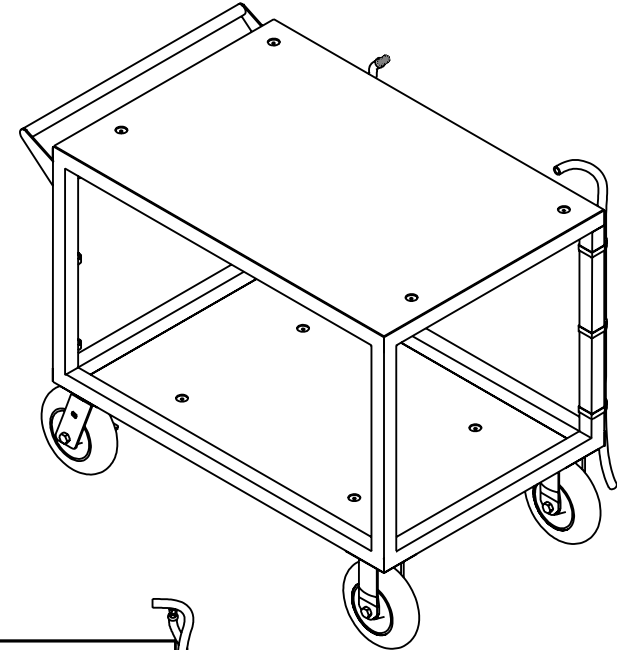
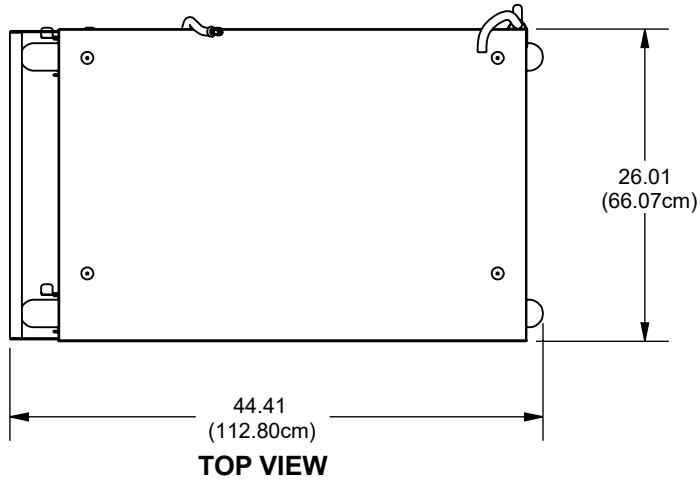


NOTES:

1. INTERPRET DRAWING PER ASME Y14.100-2017
2. INTERPRET DIMENSIONS AND TOLERANCES PER ASME Y14.5-2018
3. ALL UNITS ARE INCHES U.N.O.
4. REMOVE ALL BURRS AND SHARP EDGES

REVISIONS				
DWN	REV.	DESCRIPTION	DATE	APP.



DO NOT SCALE FROM DRAWING		THIRD ANGLE PROJECTION 	PROPRIETARY NOTICE THIS DRAWING AND INFORMATION CONTAINED WITHIN IS PROPRIETARY TO THUNDER SCIENTIFIC AND CANNOT BE COPIED OR REPRODUCED WITHOUT SPECIFIC WRITTEN PERMISSION			Thunder Scientific Corporation 623 Wyoming S.E. Albuquerque, NM 87123			
	2900	TOLERANCES .XXX ±.010 .XX ±.015 ∠ ±.50° UNLESS NOTED OTHERWISE			DRAWN	CRB	01/27/2023	Cart Dimensional Drawing	
NEXT ASSY	USED ON	APPROVED	MG	01/27/2023	SIZE A	DWG. NO. 23D29920		REV -	
APPLICATION		ISSUED	GMF	01/27/2023		WT. 165.23 lb		SHEET 1 OF 1	